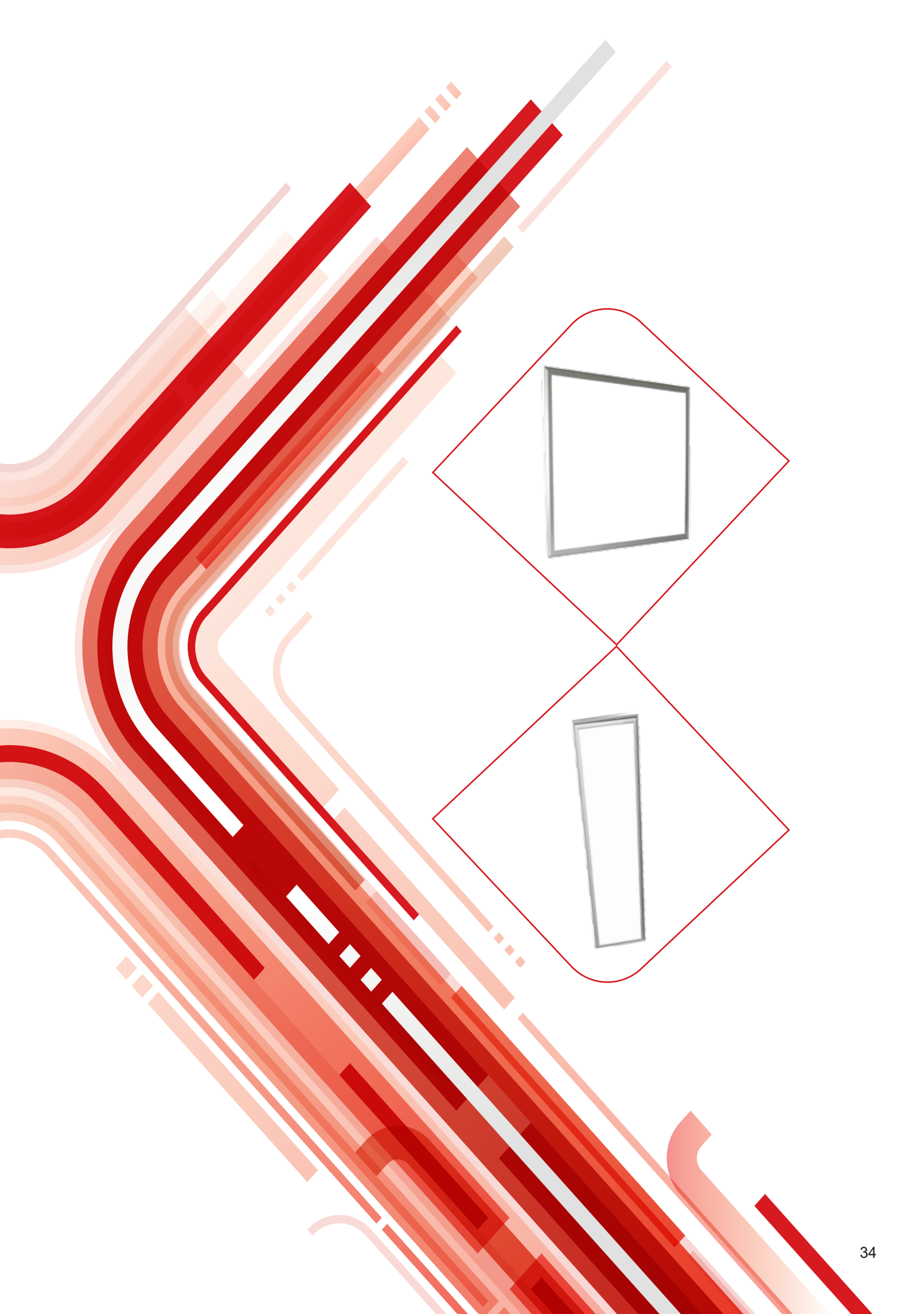
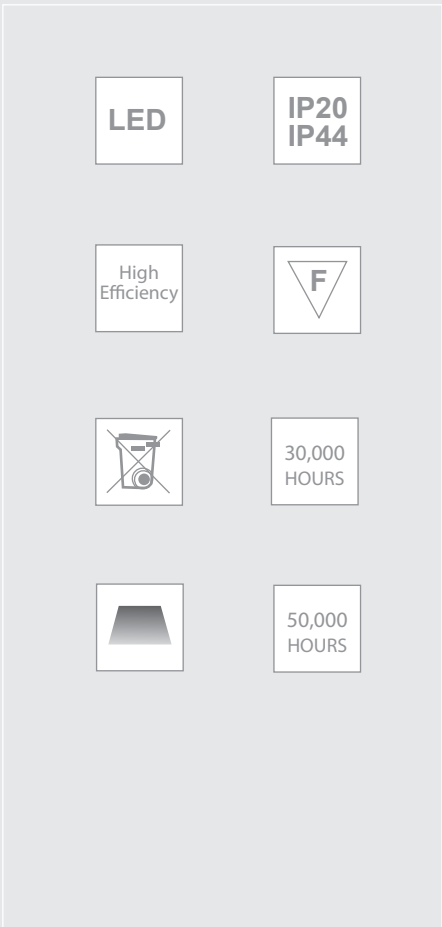
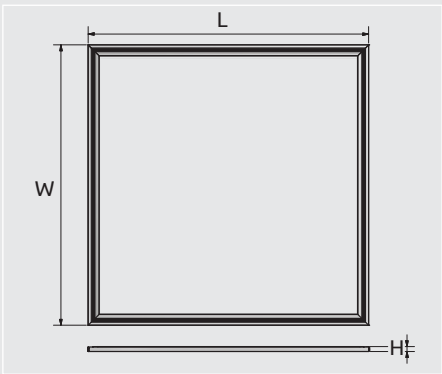
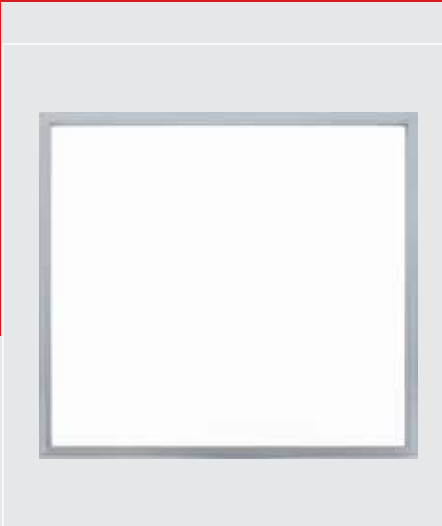


A photograph of a modern office interior featuring cubicles with white desks and blue partitions. The ceiling is a grid with recessed LED lighting panels. A large, semi-transparent red diagonal graphic cuts across the right side of the image. The text 'CLASSIC LED PANEL' is overlaid in white, bold, sans-serif font on the left side of the image.

# CLASSIC LED PANEL





### Product Code

Classic LED Panel 60\*60

### Color

Matt White

### General Specifications

Product type : LED Panel 60x60  
 Mounting type : Recessed – Surface - Suspended  
 Description : Classic LED panel with small height is ideal for retrofitting the fluorescent fixtures which provide a better illumination conditions, visually comfortable and uniform light.  
 Category : Indoor light  
 Applications : Offices, schools, hospitals, banks and supermarkets.

### Lighting Specifications

Wattage : 48 w  
 Lumen : 4800 lm  
 Efficacy : 100 lm/w  
 Power Factor : 0.95  
 CRI : ≥ 80  
 Color temperature : 3000 k : 6500 k  
 Rated lifetime : 30,000 / 50,000 hrs.

### Physical Specifications

Body : Aluminum frame  
 Finishes : Electrostatic painting  
 Diffuser : PMMA / PC  
 Thermal Dissipation : Passive

### Electrical Specifications

Driver : Included  
 Driver mounting : Separated  
 Voltage : 100-240 VAC  
 Frequency : 50 Hz

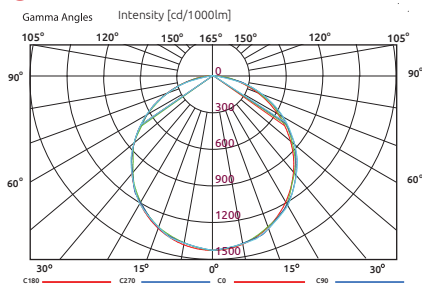
### Optical Specifications

Aiming : Fixed  
 Light distribution : Symmetric  
 Light emission : Direct  
 Beam angle : 111°

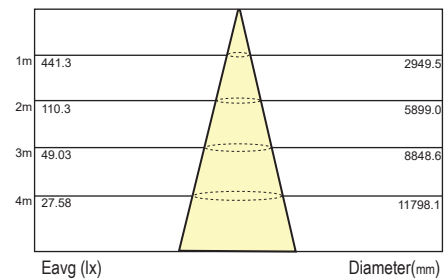
## Dimensions

Mounting	Length (mm)	Width (mm)	Height (mm)
Recessed	595	595	10
Surface	605	605	50

## Photometric



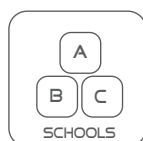
## Cone Diagram

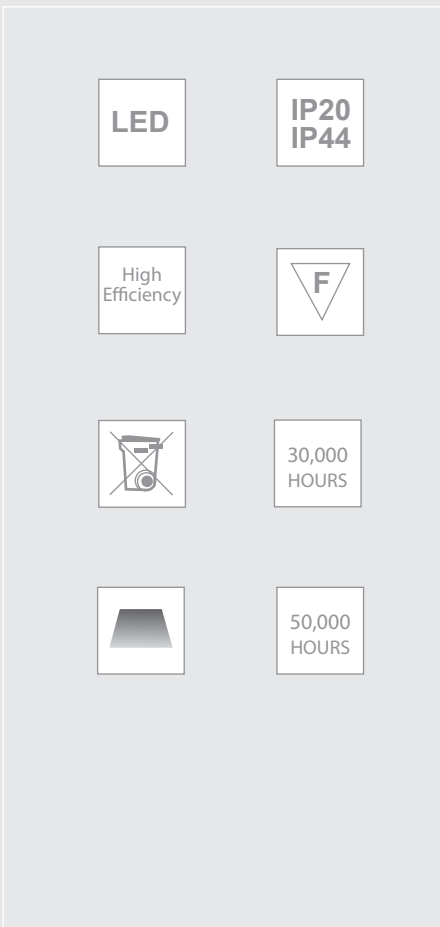
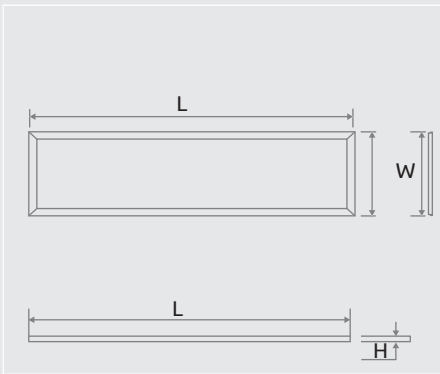
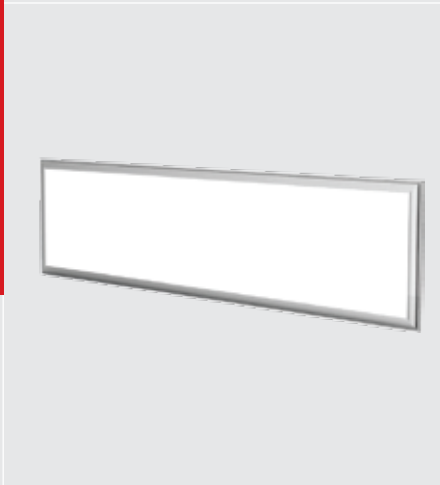


## Pictures & Accessories



## Applications





### Product Code

Classic LED Panel 30\*120 LED

### Color

Matt White

### General Specifications

Product type : LED Panel 30x120  
 Mounting type : Recessed – Surface - Suspended  
 Description : Classic LED panel with small height is ideal for retrofitting the fluorescent fixtures which provide a better illumination conditions, visually comfortable and uniform light.  
 Category : Indoor light  
 Applications : Offices, schools, hospitals, banks and supermarkets.

### Lighting Specifications

Wattage : 48 w  
 Delivered lumen : 4800 lm  
 Efficiency : 100 lm/w  
 Power Factor : 0.95  
 CRI :  $\geq 80$   
 Color temperature : 3000 k : 6500 k  
 Rated lifetime : 30,000 / 50,000 hrs.

### Physical Specifications

Body : Aluminum frame  
 Finishes : Electrostatic painting  
 Diffuser : PMMA / PC  
 Thermal Dissipation : Passive

### Electrical Specifications

Driver : Included  
 Driver mounting : Separated  
 Voltage : 100-240 VAC  
 Frequency : 50 Hz

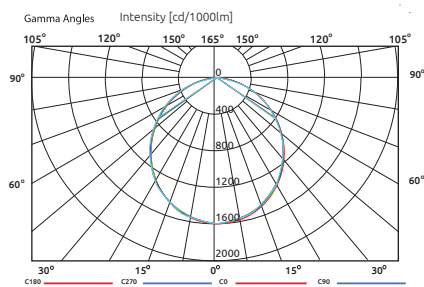
### Optical Specifications

Aiming : Fixed  
 Light distribution : Symmetric  
 Light emission : Direct  
 Beam angle : 111°

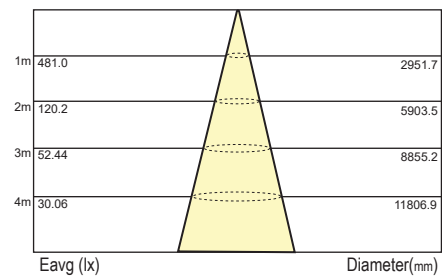
## Dimensions

Mounting	Length (mm)	Width (mm)	Height (mm)
Recessed	1195	295	10
Surface	1205	305	50

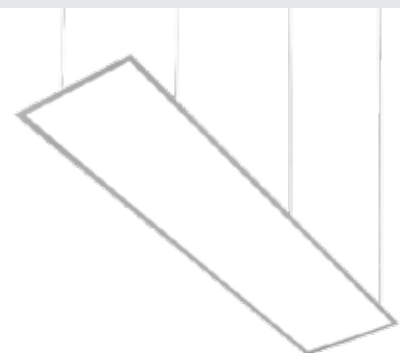
## Photometric



## Cone Diagram



## Pictures & Accessories



## Applications

