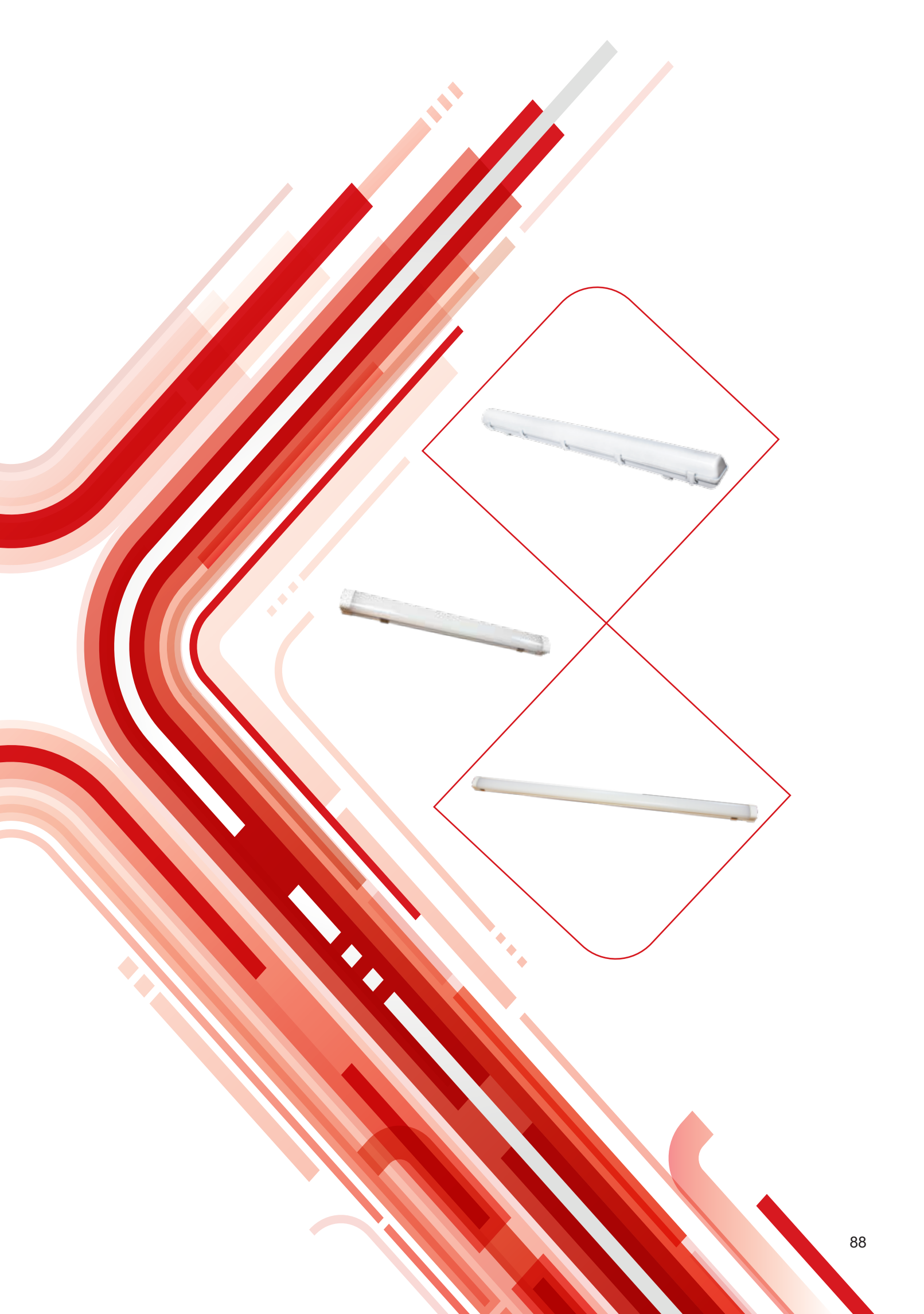


# HYDRA





## Product Code

HYDRA G1-120

## Color

Matt white - Gray

## General Specifications

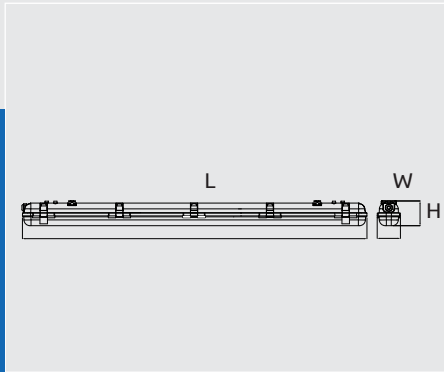
Product type : Weatherproof LED Luminaire

Mounting type : Suspended - Ceiling - Wall

Description : Hydra Series is a water, dust and shockproof fixture. Its durable design makes it ideal for operation in demanding environments where high temperature, humidity and dust are present.

Category : Indoor and outdoor light

Applications : Tunnels, kitchens, warehouses, parking areas and household.



## Lighting Specifications

Wattage : 40 w

Lumen : 4000 lm

Efficacy :  $\geq 100$  lm/w

Power Factor : 0.9

CRI :  $\geq 80$

Color temperature : 3000 k : 6500 k

Rated lifetime : 30,000 / 50,000 hrs.

## Physical Specifications

Body : Injection molded polycarbonate with high impact resistance.  
Peripheral gasket to ensure high tightening with the diffuser.

Diffuser : Injection molded polycarbonate UV stabilized

Clips : Ten polycarbonate clips to ensure IP65 rating

Thermal Dissipation : Passive

## Electrical Specifications

Driver : Included

Driver mounting : Integrated

Voltage : 202-254 VAC 198-264 VAC

Frequency : 50 Hz

## Weight & Dimensions

Length : 1268 mm

Width : 100 mm

Height : 105 mm

## Optical Specifications

Aiming : Fixed

Light distribution : Symmetric

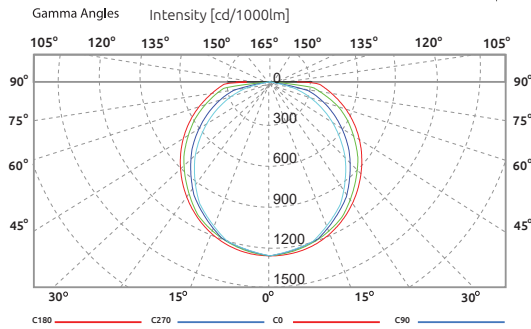
Light emission : Direct

Beam angle :  $120^\circ$

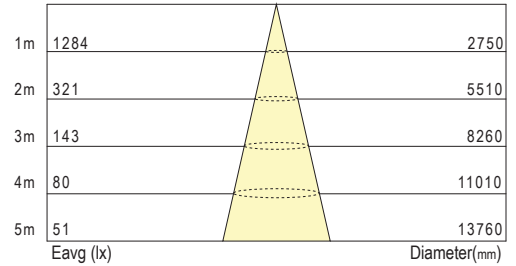


# Hydra

## Photometric



## Cone Diagram



## Pictures & Accessories



## Applications





### Product Code

HYDRA G2-60

### Color

Matt white

### General Specifications

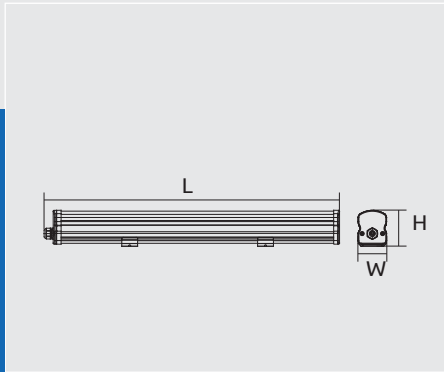
Product type : Weatherproof LED Luminaire

Mounting type : Suspended- Ceiling - Wall

Description : Hydra Series is a water, dust and shockproof fixture. Its durable design makes it ideal for operation in demanding environments where high temperature, humidity and dust are present.

Category : Indoor and outdoor light

Applications : Tunnels, kitchen, warehouses, parking area and household.



### Lighting Specifications

Wattage : 20 w

Lumen : 2000 lm

Efficacy :  $\geq 100$  lm/w

Power Factor : 0.9

CRI :  $\geq 80$

Color temperature : 3000 k : 6500 k

Rated lifetime : 30,000 hrs.

### Physical Specifications

Body : Injection molded polycarbonate with high impact resistance.  
Peripheral gasket to ensure high tightening with the diffuser.

Diffuser : Injection molded polycarbonate UV stabilized

Thermal Dissipation : Passive

### Electrical Specifications

Driver : Included

Driver mounting : Integrated

Voltage : 220-240 VAC

Frequency : 50 Hz

### Weight & Dimensions

Length : 600 mm

Width : 51 mm

Height : 43 mm

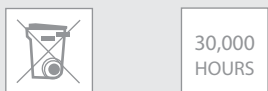
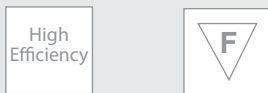
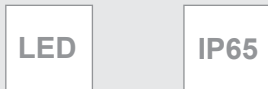
### Optical Specifications

Aiming : Fixed

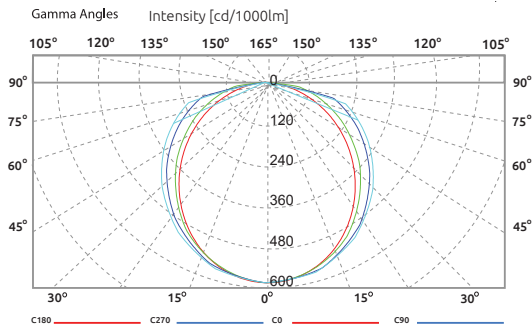
Light distribution : Symmetric

Light emission : Direct

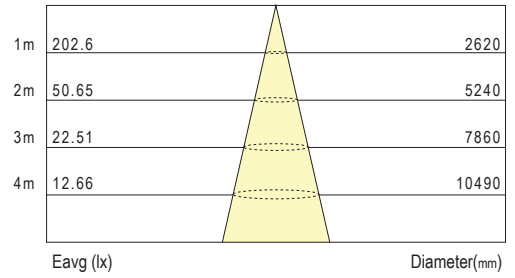
Beam angle :  $120^\circ$



## Photometric



## Cone Diagram



## Pictures & Accessories



## Applications





## Product Code

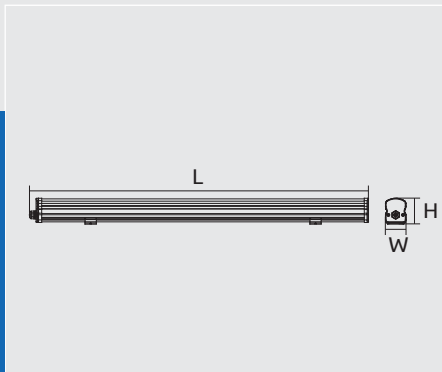
HYDRA G2-120

## Color

Matt white

## General Specifications

Product type : Weatherproof LED Luminaire  
 Mounting type : Suspended- Ceiling - Wall  
 Description : Hydra Series is a water, dust and shockproof fixture. Its durable design makes it ideal for operation in demanding environments where high temperature, humidity and dust are present.  
 Category : Indoor and outdoor light  
 Applications : Tunnels, kitchen, warehouses, parking area and household.



## Lighting Specifications

Wattage : 40 w  
 Lumen : 4000 lm  
 Efficacy :  $\geq 100$  lm/w  
 Power Factor : 0.9  
 CRI :  $\geq 80$   
 Color temperature : 3000 k : 6500 k  
 Rated lifetime : 30,000 hrs.

## Physical Specifications

Body : Injection molded polycarbonate with high impact resistance. Peripheral gasket to ensure high tightening with the diffuser.  
 Diffuser : Injection molded polycarbonate UV stabilized  
 Thermal Dissipation : Passive

## Electrical Specifications

Driver : Included  
 Driver mounting : Integrated  
 Voltage : 220-240 VAC  
 Frequency : 50 Hz

## Weight & Dimensions

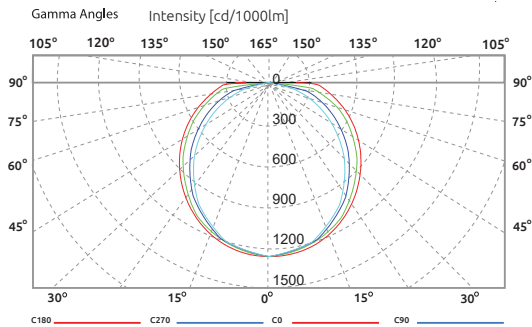
Length : 1200 mm  
 Width : 51 mm  
 Height : 43 mm

## Optical Specifications

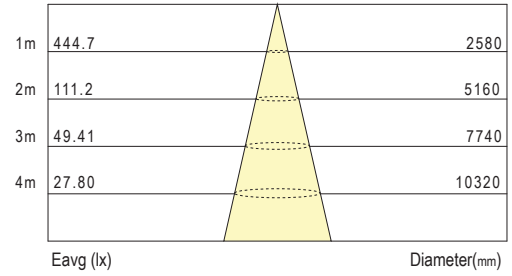
Aiming : Fixed  
 Light distribution : Symmetric  
 Light emission : Direct  
 Beam angle : 120°



## Photometric



## Cone Diagram



## Pictures & Accessories



## Applications

