





Product Code

ORION 100

Color

Gray-black-white

General Specifications

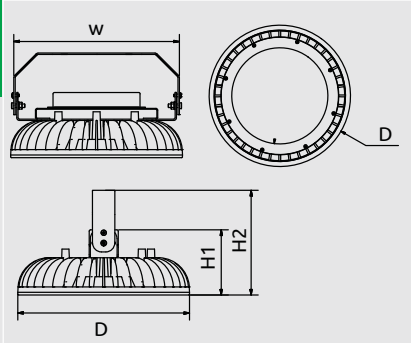
Product type : Flood light

Mounting type : By bracket

Description : The Orion Series is floodlight fixtures that bring the security and safety of high quality illumination to a variety of outdoor areas and large architectural facades. It combines elegance, performance and durability specifically designed for airports, open-air car parks and exhibition halls.

Category : Outdoor

Applications : Warehouses, industrial, parking, stadiums and commercial areas.



Lighting Specifications

Wattage : 100 w

lumen : 13000 lm

Efficiency : 130 lm/w

Power Factor : 0.98

CRI : ≥ 80

Color temperature : 3000 k : 6500 k

Rated lifetime : 50,000 hrs.

LED

IP65

High Efficiency

F



50,000 HOURS



Physical Specifications

Body : Heavy duty die cast aluminum housing

Finishes : Electrostatic painting for outdoor

Diffuser : Tempered glass

Thermal Dissipation : Passive

Electrical Specifications

Driver : Included

Driver mounting : Separated or gear box

Voltage : 100-305 VAC

Frequency : 50 Hz

Dimensions

Diameter : 385 mm

Height 1 : 146 mm

Height 2 : 234 mm

Width : 371 mm

Optical Specifications

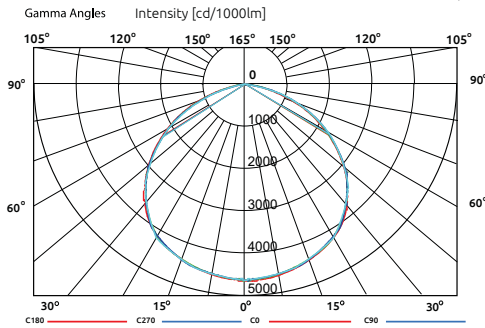
Aiming : Rotatable 180°

Light distribution : Symmetric

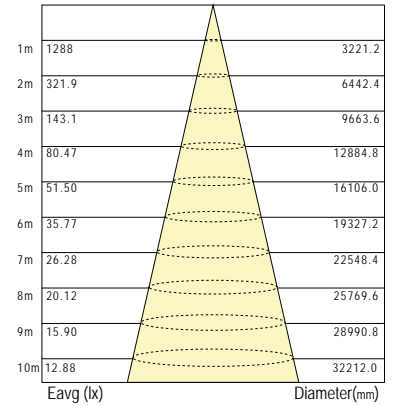
Light emission : Direct

Beam angle : 120°

Photometric



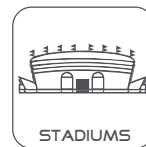
Cone Diagram

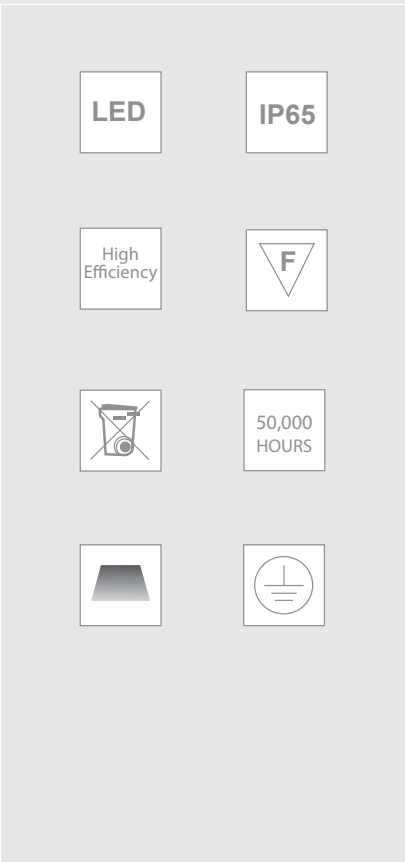
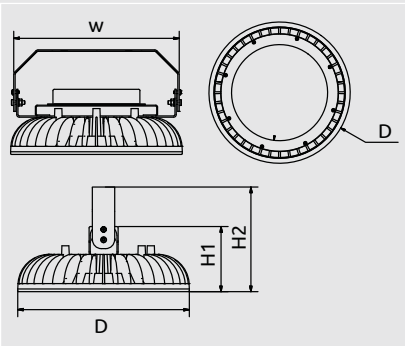


Pictures & Accessories



Applications





Product Code

ORION 150

Color

Gray-black-white

General Specifications

- Product type : Flood light
 Mounting type : By bracket
 Description : The Orion Series is floodlight fixtures that bring the security and safety of high quality illumination to a variety of outdoor areas and large architectural facades. It combines elegance, performance and durability specifically designed for airports, open-air car parks and exhibition halls.
 Category : Outdoor
 Applications : Warehouses, industrial, parking, stadiums and commercial areas.

Lighting Specifications

- Wattage : 150 w
 Lumen : 19500 lm
 Efficiency : 130 lm/w
 Power Factor : 0.98
 CRI : ≥ 80
 Color temperature : 3000 k : 6500 k
 Rated lifetime : 50,000 hrs.

Physical Specifications

- Body : Heavy duty die cast aluminum housing
 Finishes : Electrostatic painting for outdoor
 Diffuser : Tempered glass
 Thermal Dissipation : Passive

Electrical Specifications

- Driver : Included
 Driver mounting : Separated or gear box
 Voltage : 100-305 VAC
 Frequency : 50 Hz

Dimensions

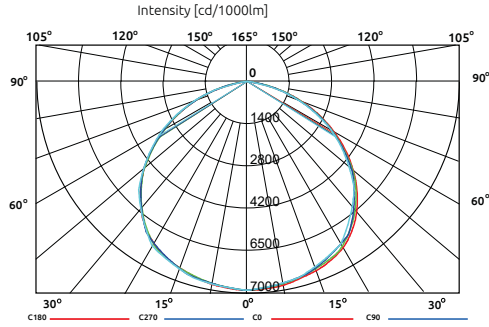
- Diameter : 385 mm
 Height 1 : 146 mm
 Height 2 : 234 mm
 Width : 371 mm

Optical Specifications

- Aiming : Rotatable 180°
 Light distribution : Symmetric
 Light emission : Direct
 Beam angle : 120°

ORION

Photometric



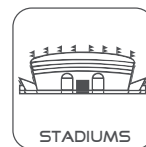
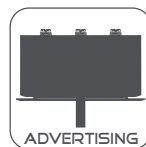
Cone Diagram

1m	1922	3219.3
2m	480.4	6438.6
3m	213.5	9657.9
4m	120.1	12877.3
5m	76.87	16096.6
6m	53.38	19315.9
7m	39.22	22535.2
8m	30.03	25754.5
9m	23.73	28973.8
10m	19.22	32193.1
	Eavg (lx)	Diameter(mm)

Pictures & Accessories



Applications





Product Code

ORION 200

Color

Gray-black-white

General Specifications

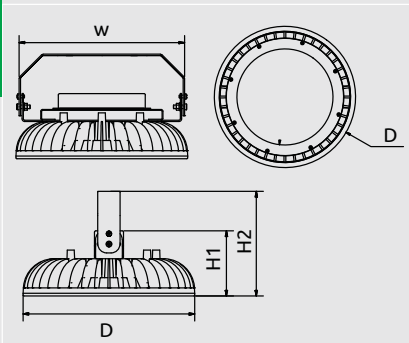
Product type : Flood light

Mounting type : By bracket

Description : The Orion Series is floodlight fixtures that bring the security and safety of high quality illumination to a variety of outdoor areas and large architectural facades. It combines elegance, performance and durability specifically designed for airports, open-air car parks and exhibition halls.

Category : Outdoor

Applications : Warehouses, industrial, parking, stadiums and commercial areas.



Lighting Specifications

Wattage : 200 w

Lumen : 26000 lm

Efficiency : 130 lm/w

Power Factor : 0.98

CRI : ≥ 80

Color temperature : 3000 k : 6500 k

Rated lifetime : 50,000 hrs.

Physical Specifications

Body : Heavy duty die cast aluminum housing

Finishes : Electrostatic painting for outdoor

Diffuser : Tempered glass

Thermal Dissipation : Passive

Electrical Specifications

Driver : Included

Driver mounting : Separated or gear box

Voltage : 100-305 VAC

Frequency : 50 Hz

Dimensions

Diameter : 385 mm

Height 1 : 146 mm

Height 2 : 234 mm

Width : 371 mm

Optical Specifications

Aiming : Rotatable 180°

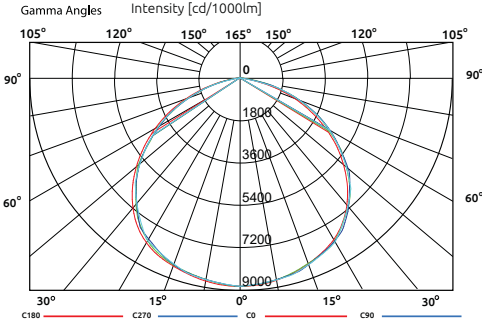
Light distribution : Symmetric

Light emission : Direct

Beam angle : 120°



Photometric



Cone Diagram

1m	2405	3206.8
2m	601.2	6413.6
3m	267.2	9620.5
4m	150.3	12827.3
5m	96.19	16034.1
6m	66.80	19240.9
7m	49.08	22447.7
8m	37.57	25654.5
9m	29.69	28861.4
10m	24.05	32068.2
	Eavg (lx)	Diameter(mm)

Pictures & Accessories



Applications

- 
INDUSTRIAL
- 
WAREHOUSES
- 
PARKING AREA
- 
ADVERTISING
- 
STADIUMS
- 
COMMERCIAL AREAS