



TAURUS





Product Code

TAURUS 100

Color

Gray-black-white

General Specifications

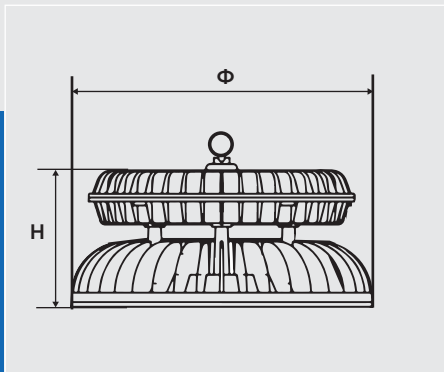
Product type : Highbay

Mounting type : Suspended

Description : Taurus LED Highbay luminaire is designed to provides the best of both efficiency and high quality light, suitable for high ceiling facilities from 8m to 12m height, production failities, warehouses and commercial areas.

Category : Industrial

Applications : Warehouses, industrial facilities and commercial areas.



Lighting Specifications

Wattage : 100 w

lumen : 13000 lm

Efficacy : 130 lm/w

Power Factor : 0.98

CRI : ≥ 80

Color temperature : 3000 k : 6500 k

Rated lifetime k : 50,000 hrs.

Physical Specifications

Body : Heavy duty die cast aluminum housing

Finishes : Electrostatic painting for outdoor

Diffuser : Tempered glass

Thermal Dissipation : Passive

Electrical Specifications

Driver : Included

Driver mounting : Separated or gear box

Voltage : 100-305 VAC

Frequency : 50 Hz

Dimensions

Diameter : 385 mm

Height : 238 mm

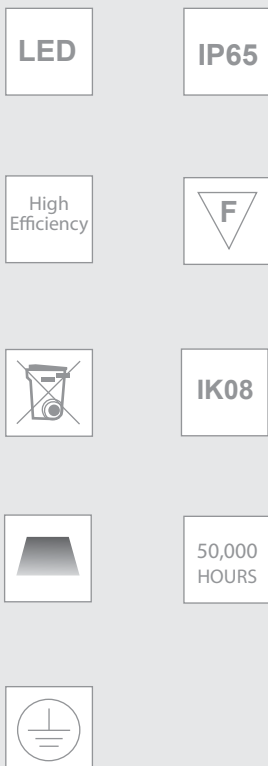
Optical Specifications

Aiming : Fixed

Light distribution : Symmetric

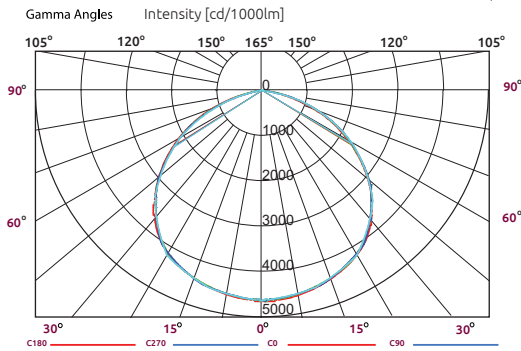
Light emission : Direct

Beam angle : 120°

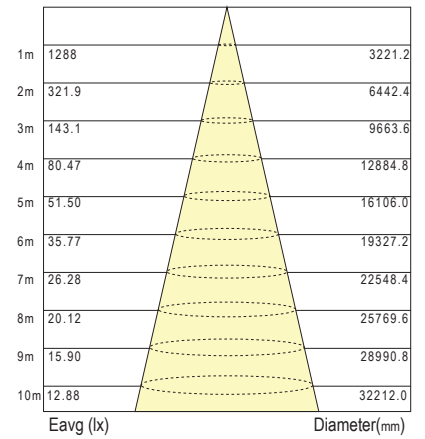


TAURUS

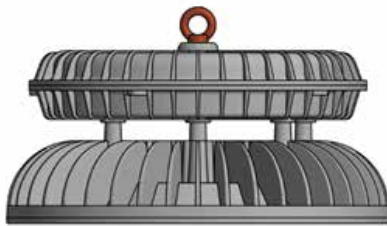
Photometric



Cone Diagram



Pictures & Accessories



Applications





Product Code

TAURUS 150

Color

Gray-black-white

General Specifications

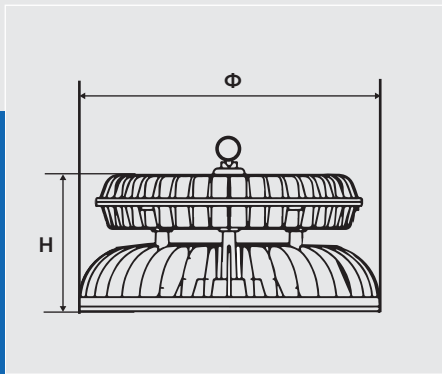
Product type : Highbay

Mounting type : Suspended

Description : Taurus LED Highbay luminaire is designed to provides the best of both efficiency and high quality light, suitable for high ceiling facilities from 8m to 12m height, production facilities, warehouses and commercial areas.

Category : Industrial

Applications : Warehouses, industrial facilities and commercial areas.



Lighting Specifications

Wattage : 150 w

lumen : 19500 lm

Efficacy : 130 lm/w

Power Factor : 0.98

CRI : ≥ 80

Color temperature : 3000 k : 6500 k

Rated lifetime k : 50,000 hrs.

Physical Specifications

Body : Heavy duty die cast aluminum housing

Finishes : Electrostatic painting for outdoor

Diffuser : Tempered glass

Thermal Dissipation : Passive

Electrical Specifications

Driver : Included

Driver mounting : Separated or gear box

Voltage : 100-305 VAC

Frequency : 50 Hz

Dimensions

Diameter : 385 mm

Height : 238 mm

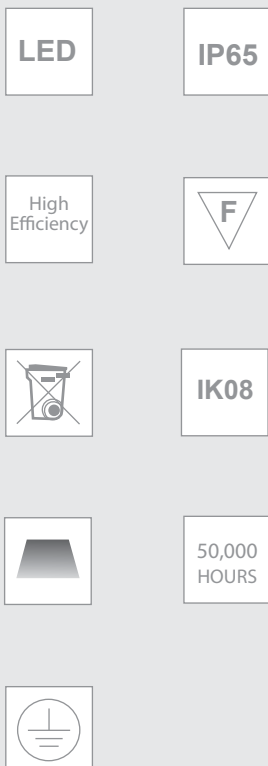
Optical Specifications

Aiming : Fixed

Light distribution : Symmetric

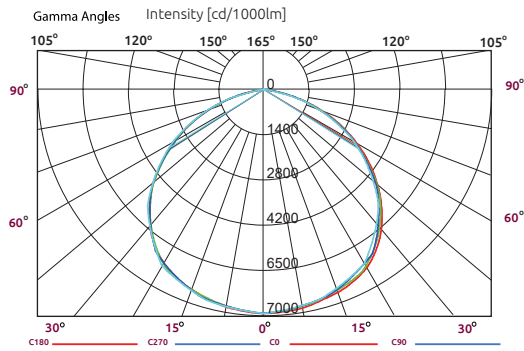
Light emission : Direct

Beam angle : 120°

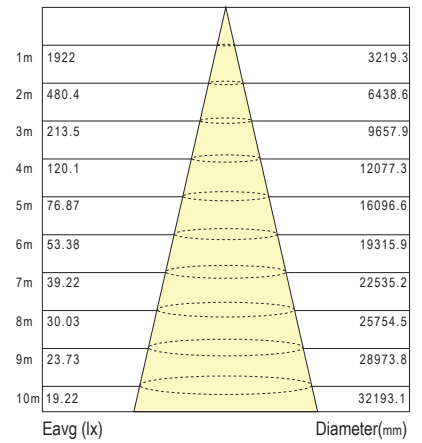


TAURUS

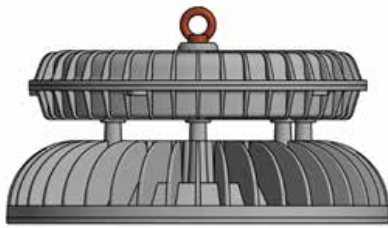
Photometric



Cone Diagram



Pictures & Accessories



Applications





Product Code

TAURUS 200

Color

Gray-black-white

General Specifications

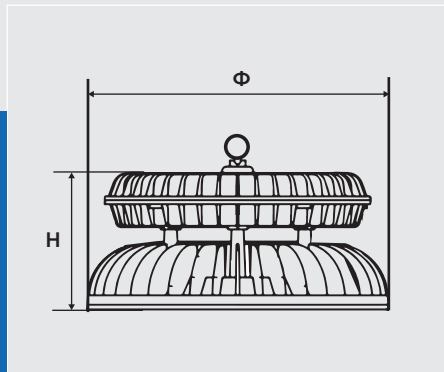
Product type : Highbay

Mounting type : Suspended

Description : Taurus LED Highbay luminaire is designed to provides the best of both efficiency and high quality light, suitable for high ceiling facilities from 8m to 12m height, production failities, warehouses and commercial areas.

Category : Industrial

Applications : Warehouses, industrial facilities and commercial areas.



Lighting Specifications

Wattage : 200 w

lumen : 26000 lm

Efficacy : 130 lm/w

Power Factor : 0.98

CRI : ≥ 80

Color temperature : 3000 k : 6500 k

Rated lifetime : 50,000 hrs.

Physical Specifications

Body : Heavy duty die cast aluminum housing

Finishes : Electrostatic painting for outdoor

Diffuser : Tempered glass

Thermal Dissipation : Passive

Electrical Specifications

Driver : Included

Driver mounting : Separated or gear box

Voltage : 100-305 VAC

Frequency : 50 Hz

Dimensions

Diameter : 385 mm

Height : 238 mm

Optical Specifications

Aiming : Fixed

Light distribution : Symmetric

Light emission : Direct

Beam angle : 120°

LED

IP65

High Efficiency

F



IK08

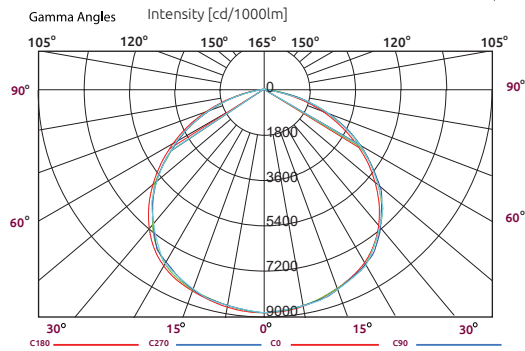


50,000 HOURS

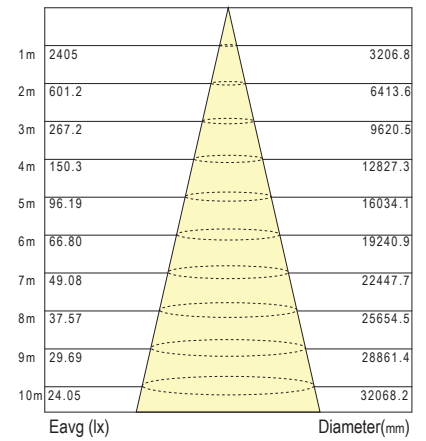


TAURUS

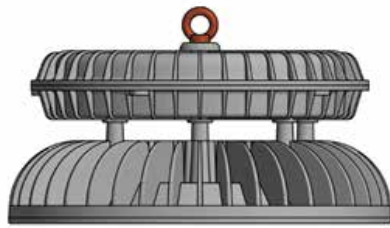
Photometric



Cone Diagram



Pictures & Accessories



Applications

